



Cameras that automatically and naturally shoot video for you

With advanced PTZ Auto Framing, the SRG-A40 and SRG-A12 cameras can automatically track a presenter with smooth movement, regardless of posture, pose, or clothing. Since the camera does the work, staff can spend their time more efficiently.

What is "PTZ Auto Framing"?

These cameras harnesses powerful AI-powered video analytics that can automatically detect and track the position of a presenter within the camera frame. As the presenter moves, the camera's pan/tilt/zoom mechanism ensures that the presenter is always framed naturally, without the need for a human camera operator to manually follow their movements.

Sony's newly developed AI analytics algorithm detects the subject's skeleton and head position and matches the subject's detail features even when there are several people in the frame, achieving accurate framing and consistent tracking.



Multiple Angles and Compositions

These cameras have a choice of three shooting modes; Full body, Waist, and Close up. In each mode the picture composition can be adjusted (size, up & down, and left & right) and the SRG-A40 and SRG-A12 can automatically track and keep the subject in the selected optimal position.

Selectable angles:



Full body

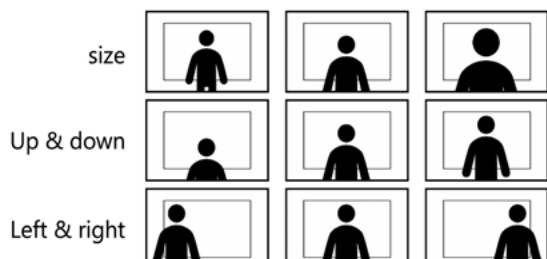


Waist



Close-up

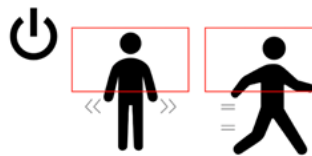
Adjustable picture compositions



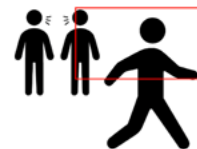
Advanced Automated Operations

The cameras can start searching an object to track automatically after power is on, and rediscover the tracking object automatically after losing the target.

Auto start



Auto search/rediscovery



Tally Lamp Indication

The lamp illuminates to give presenters visual confirmation of shooting status, or to show that PTZ Auto Framing mode is active. The lamp color will change from Red (On Air) to Green (PTZ Auto Framing ON).



Convenient control from a PC

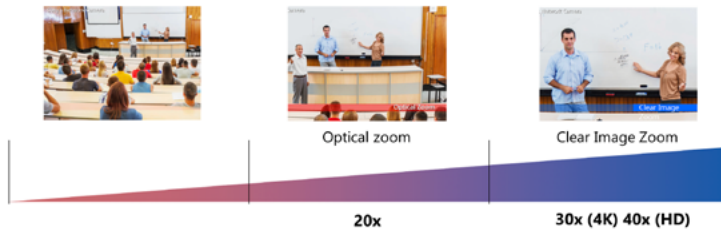
Camera functions can also be controlled remotely from a networked PC using our intuitive Web App. (Windows only).



Powerful Zoom Capability

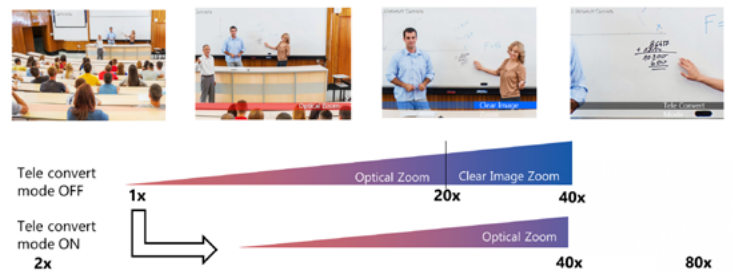
Clear Image Zoom

Super-resolution technology doubles the optical zoom while still delivering exceptional image quality (only available for SRG-A40).



Tele Convert Mode (FHD only)

By cropping the central part of the image sensor, the camera can extend to up to 80x zoom.



Wide Viewing Angle

The camera can capture broad shots of the presenter or audience with a wide field of view.



Flexible & Efficient IP-based integration

The camera can start searching an object to track power supply (POE++), image/audio output, and camera control all enabled by a single network cable.



RTSP (Real Time Streaming Protocol) /SRT/NDI | HX are supported.

Day/Night ICR Mode

By disabling the IR cut filter, the gain in the IR region is increased allowing the camera to capture images in shadow.

Day mode



Night mode



Other Features

- High-speed Pan/Tilt during Preset
- Picture Freeze during Preset Recall
- PTZ Motion Sync
- Virtual Webcam Driver for PTZ Camera
https://pro.sony/ue_US/insight/insight-education/virtual-meetings-ptz-camera-app

Accessories

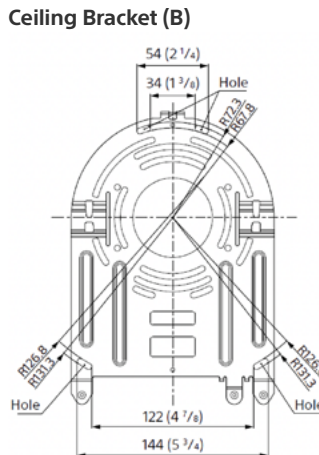
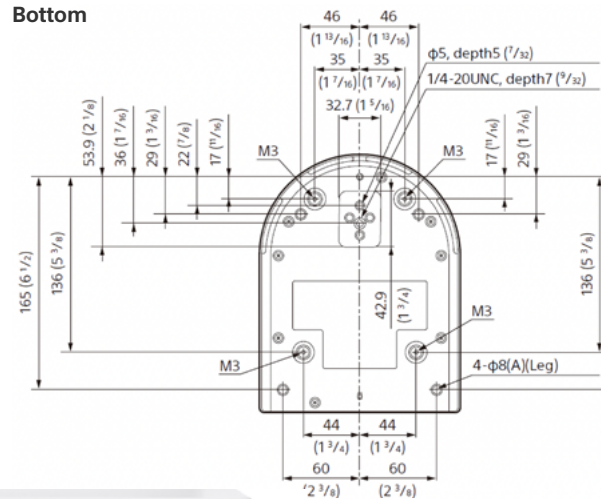
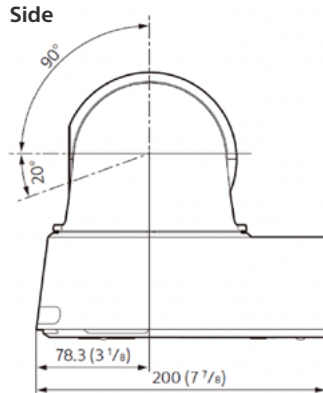
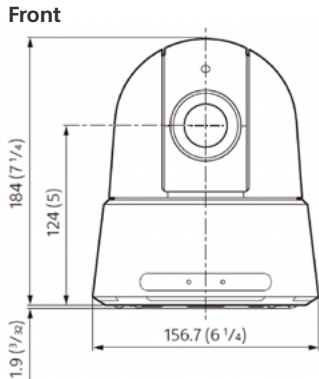
Pan/Tilt/Zoom camera movements and other functions can all be precisely controlled using the supplied IR remote controller, for convenient wireless control of PTZ functions without needing additional equipment. It can also be controlled using the optional additional RM-IP500 remote controller, just like professional broadcast cameras.



NDI® is a registered trademark of NewTek, Inc.
 *Network services, content, and the [operating system and] software of this Product may be subject to individual terms and conditions and changed, interrupted or discontinued at any time and may require fees, registration and credit card information.

Product Specifications | Dimensions | Rear Panel

Model Name	SRG-A12 & A12/W	SRG-A40 & A40/W
Camera		
Image Sensor	1/2.5 type Exmor R CMOS	
Signal System	1080/59.94p, 50p, 29.97p, 25p, 23.98p, 1080/59.94i, 50i, 720/59.94p, 50p 2160/29.97p, 25p, 23.98p (HDMI and IP only)	
Optical /Clear Image Zoom	12x, N/A	20x, up to 40x (FHD)
Horizontal Viewing Angle	70 degree (wide)	
Preset Positions	256 (CGI), 100 (VISCA)	
Ceiling Mount/Image Flip	Yes	
Interface		
Video Out	3G-SDI/HDMI/IP Streaming *4K output only via HDMI and IP streaming	
Camera Control Interface	VISCA RS-422 RJ45 (In/Out) / VISCA over IP (RJ-45)	
NDI Hx capability	Optional	
Audio Embedded	Yes	
Audio Inputs/Codec	2 ch/ AAC LC 128kbps/ST (IP) AAC LC 256kbps/ST (IP)	
Embedded Audio in Baseband Video / IP Streaming	Yes (3G-SDI, HDMI) / Yes	
IP Streaming	RTSP/SRT/NDI HX (Optional)	
General		
Weight (lb)/Dimensions - Approx (WxHxD)	4 lb 6.5 oz, 6 1/4 x 7 1/4 x 7 7/8 inches	
Power Requirements/Consumption	DC 19.5V, PoE++ (IEEE802.3bt type4 class8) DC19.5V: 80W, PoE++: 71.3W	
Accessories		
Remote Commander/IR Remote Controller	Included	
Key Features		
Built-in Analytics	Yes	
Image Stabilization	Yes	
Auto ICR	Yes	
Tally Lamp	Yes *for PTZ Auto Framing	



Units: mm (in)